

## **UNIVERSAL MEASUREMENT STATION**



**Bentham's UMS (Universal Measurement Station) will accommodate a range of accessories including:-**

**GONIOMETERS**

(Manual & Motorised) for variable angle reflection/transmission.

**INTEGRATING SPHERES**

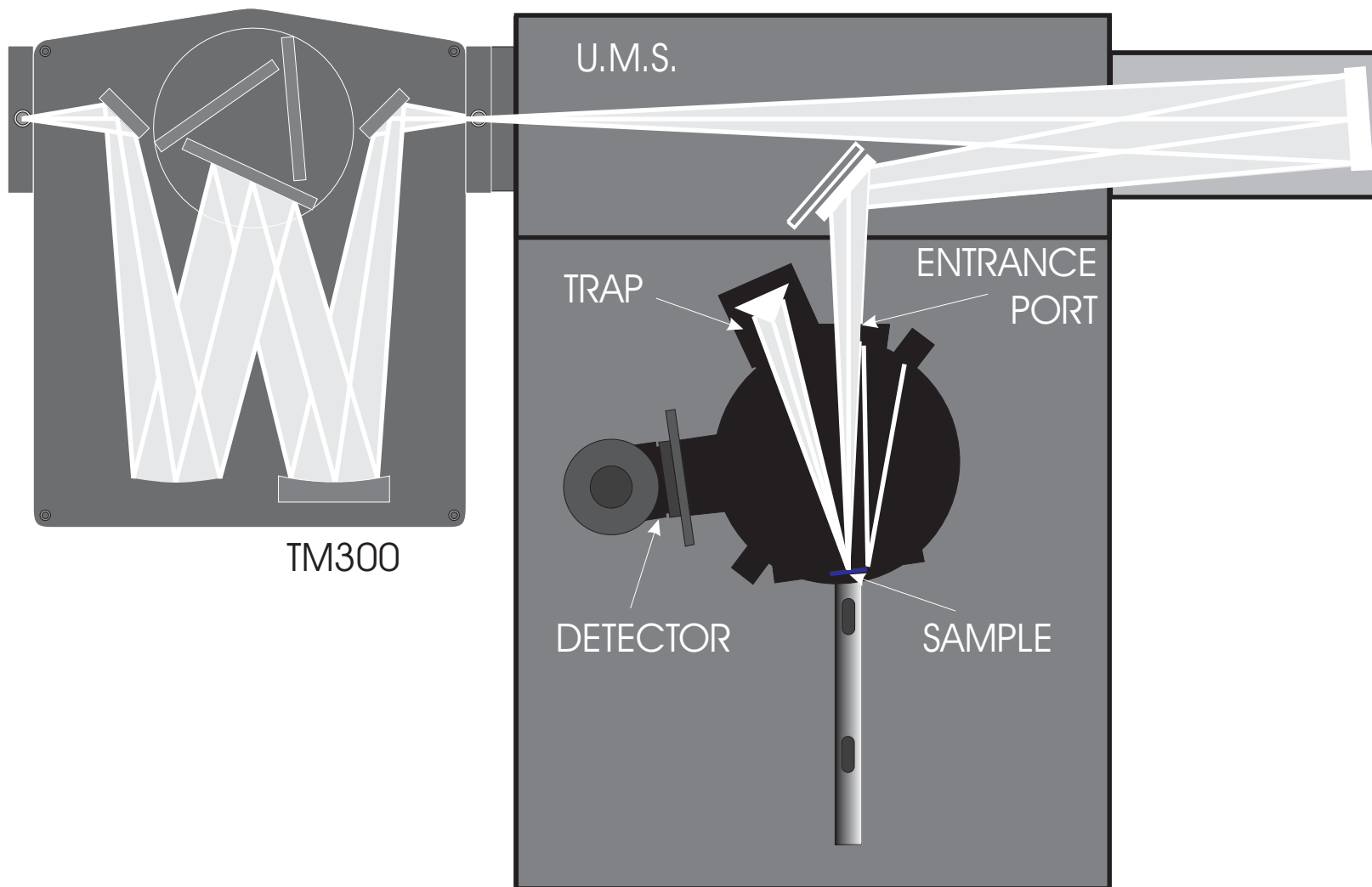
for diffuse reflectance (specular excluded and total) and diffuse transmission.

**LINEAR TRANSLATION STAGES**

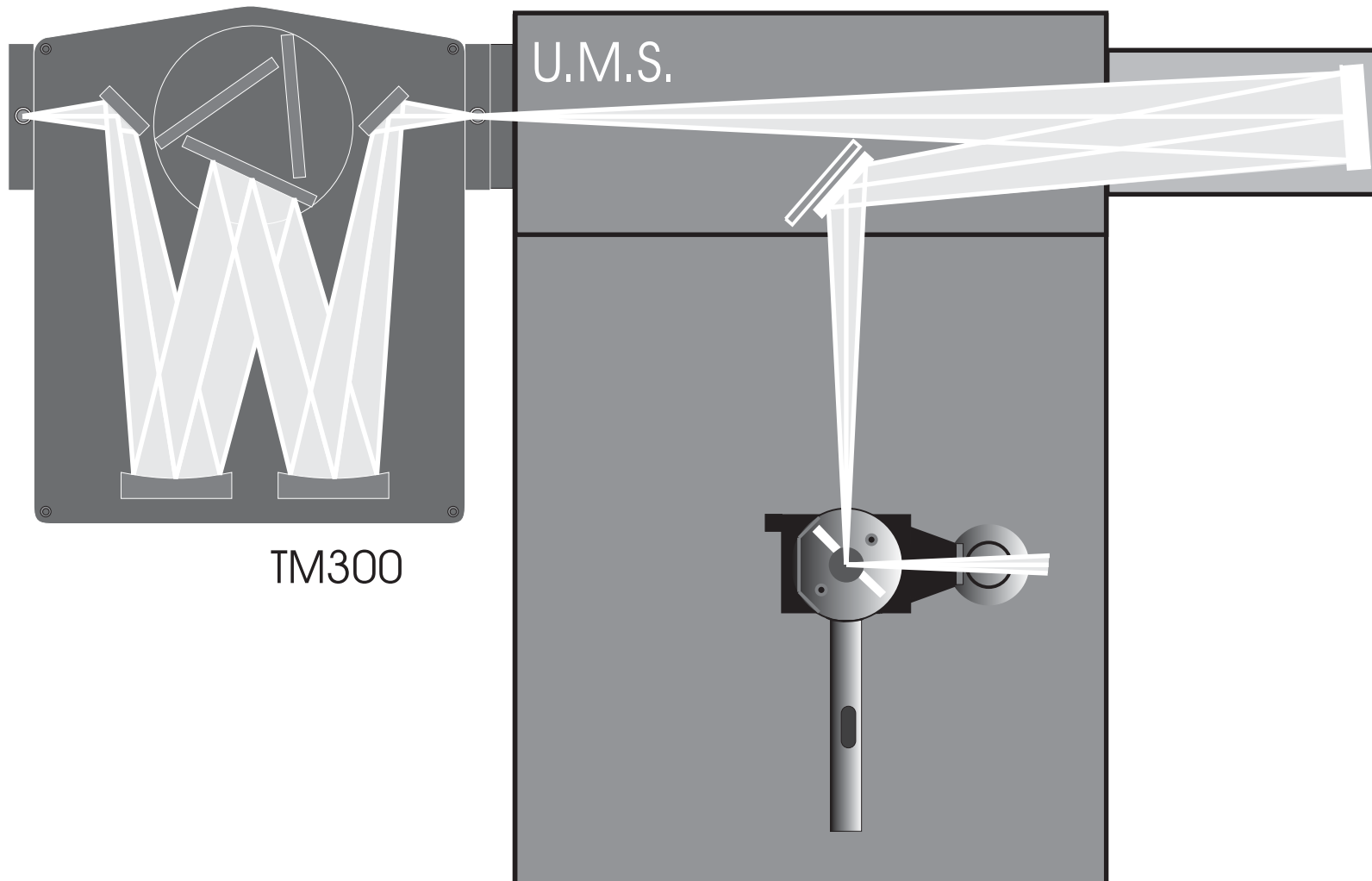
for detector responsivity measurements.

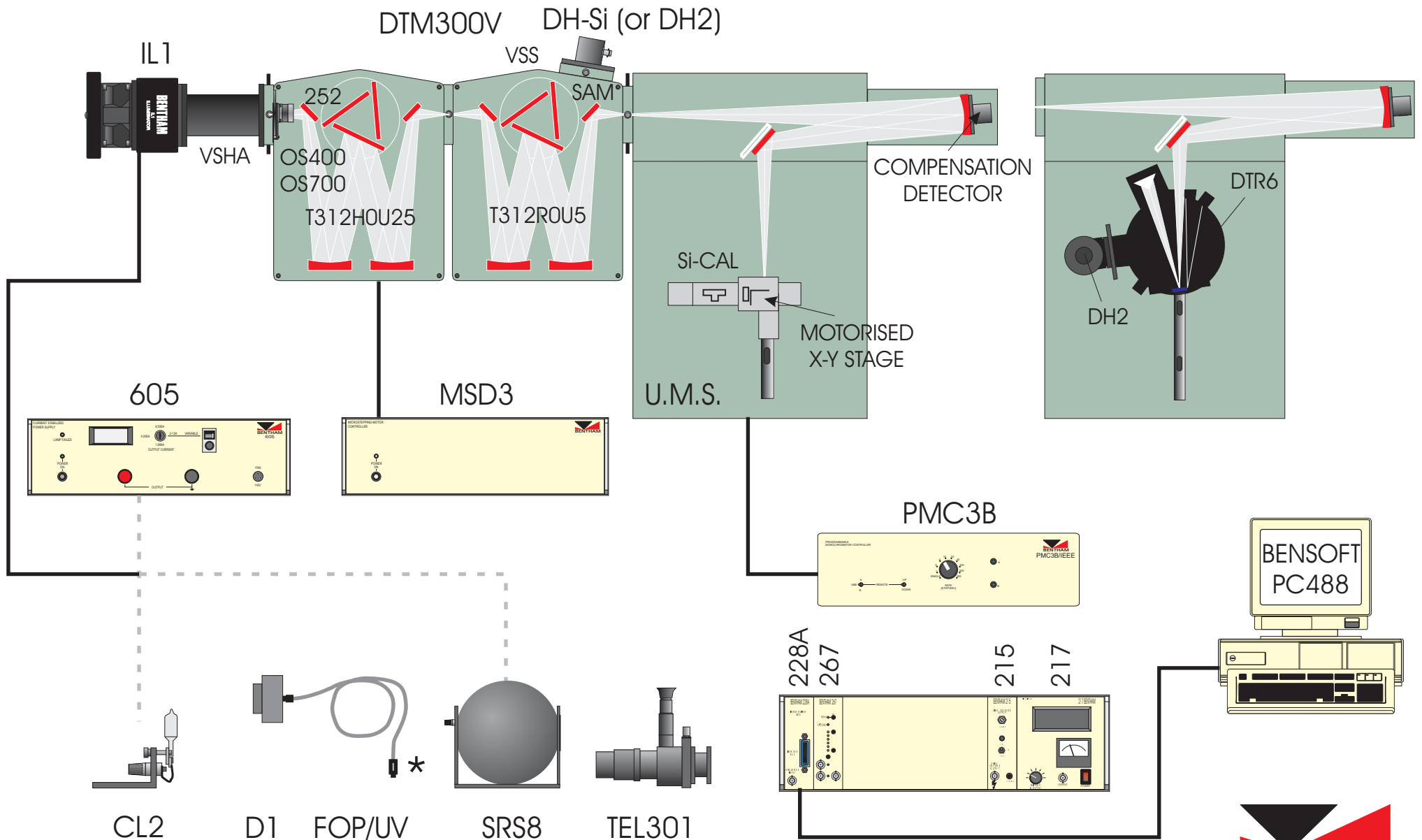
---

# EXAMPLE RAY DIAGRAM OF DTR6 FITTED IN U.M.S.



# GONIOMETER FITTED IN U.M.S.





\* Connect to monochromator input



SS.0055.DTM3