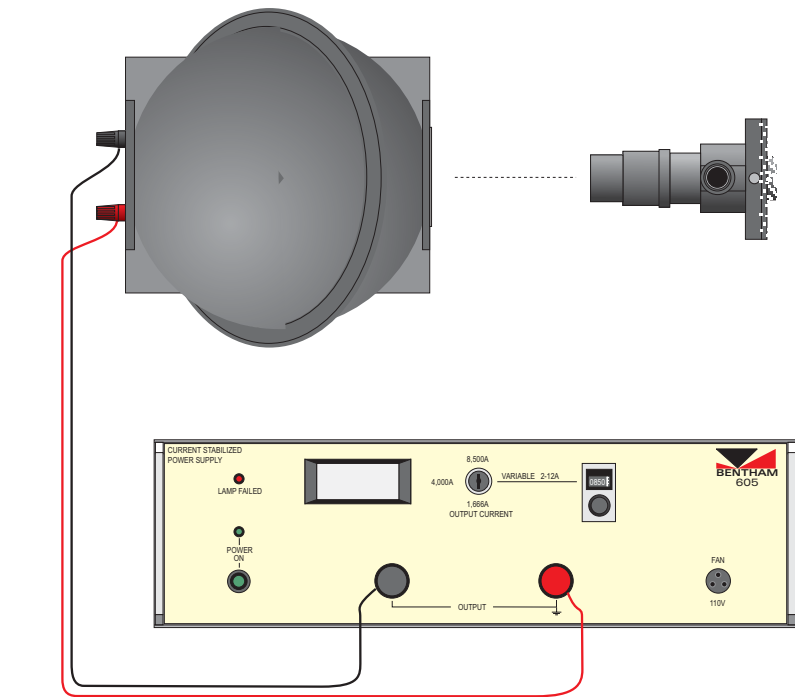
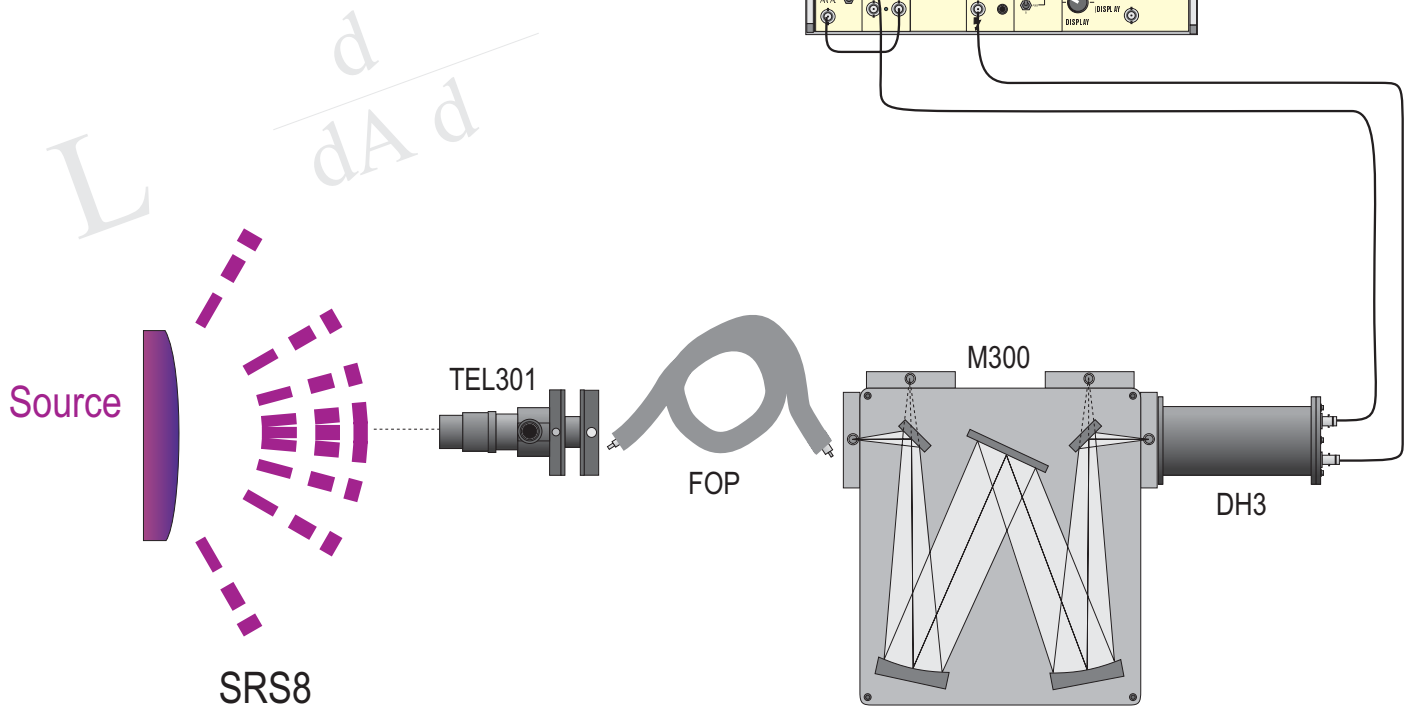


Spectral Radiance

Measurement



Calibration

