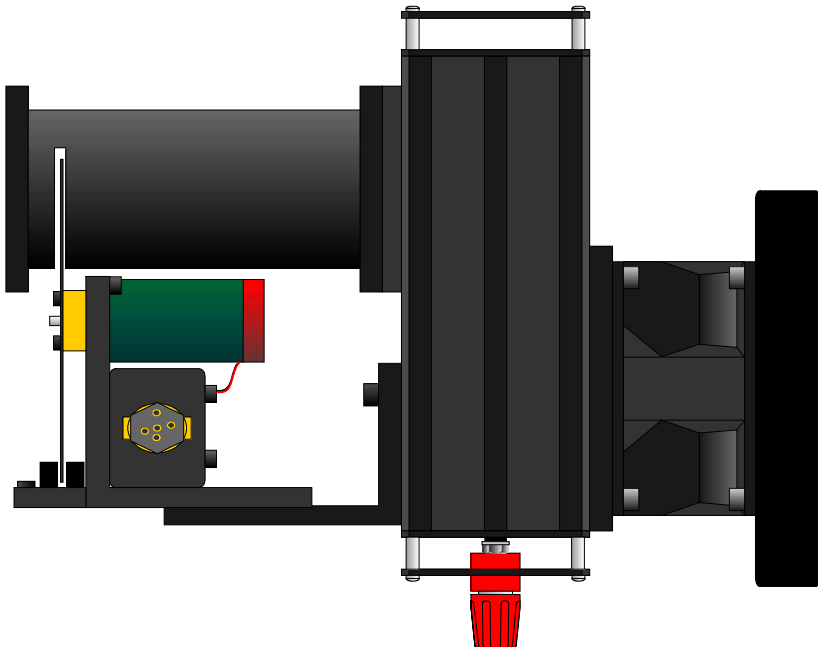




IL1 LIGHT SOURCE



The IL1 is a general-purpose light source for use in the UV, visible and infra-red spectral regions from 350nm to 2.5 μ m.

A 100W quartz halogen lamp controlled by a current stabilised power supply is employed.

A single quartz condenser lens is used to fill the height and width of the slit and to match to the F/4 optics of the monochromator.

The quartz halogen lamp is unsurpassed for stability by any other source and should always be used where it provides sufficient output in the wavelength region of interest.

Specification

Stability of light output: <i>(when used with 605 psu)</i>	Better than 0.1% over 8hr period
Peak irradiance:	1.3mW cm ⁻² nm ⁻¹ at 880nm
100W Quartz halogen lamp	
Horizontal adjustment by screw slide	
Vertical adjustment by slackening nuts in T-slots	
Single quartz condenser lens, adjustable focus	
Bracket for mounting 218 optical chopper	
1m long power leads with spade terminals provided	

IL1 Light Source

Dimensions

